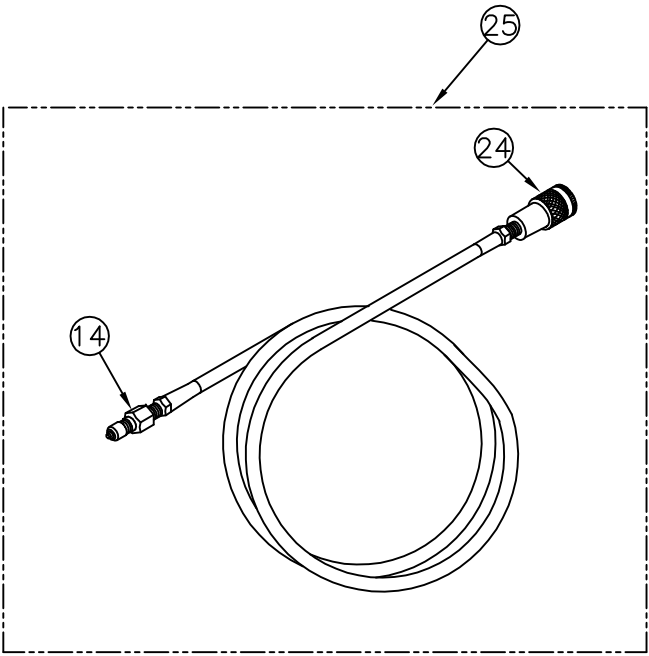
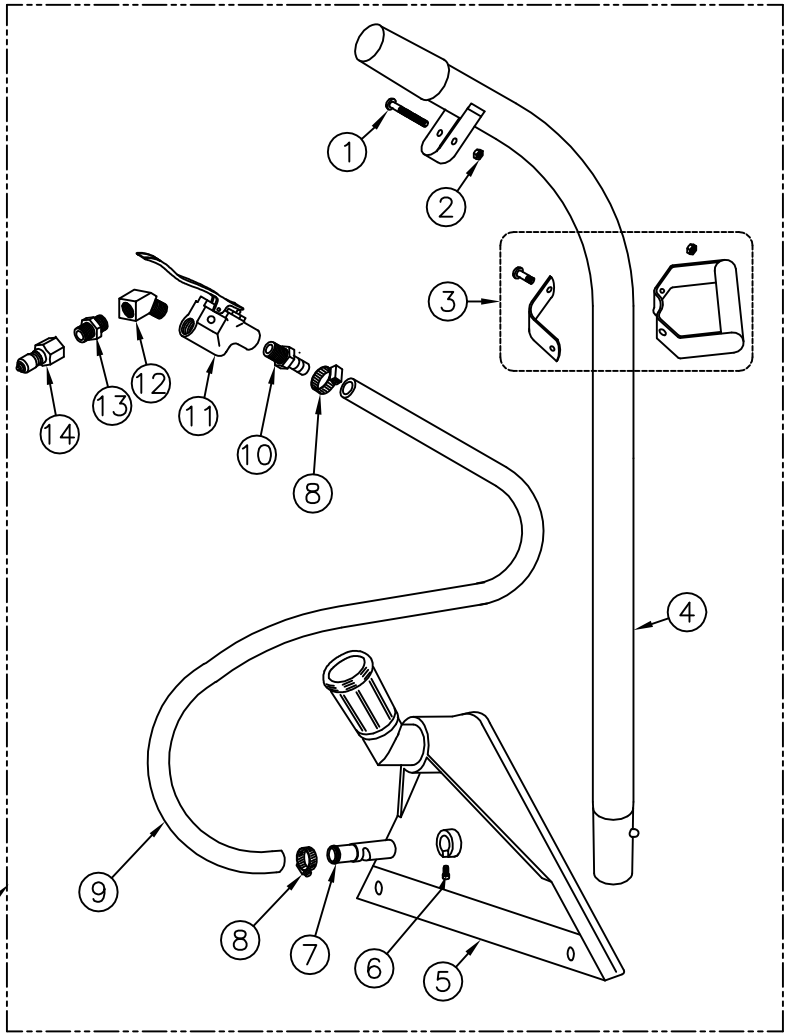
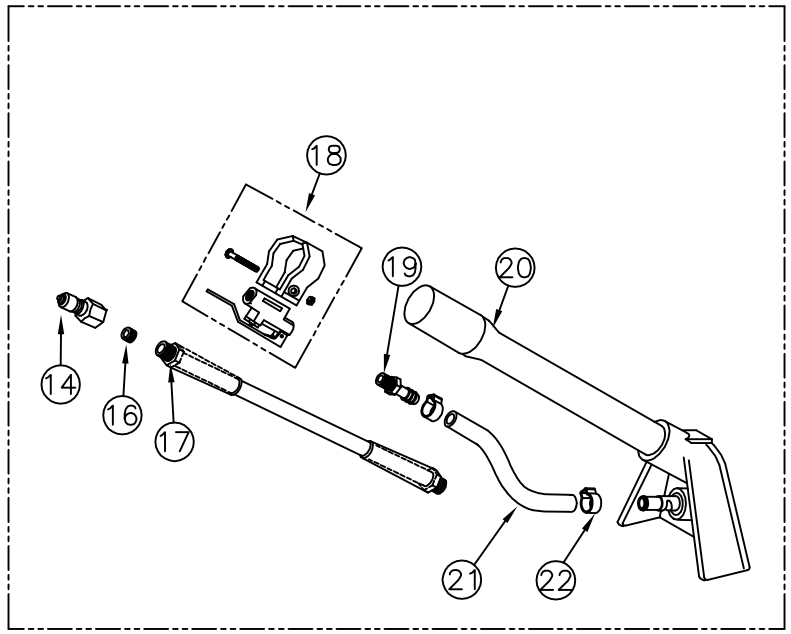


15



25



23

CONTRACT PACKAGE, CP12

32-300-000 QAD 9447901